

GD5 Large Budget Latch

Features

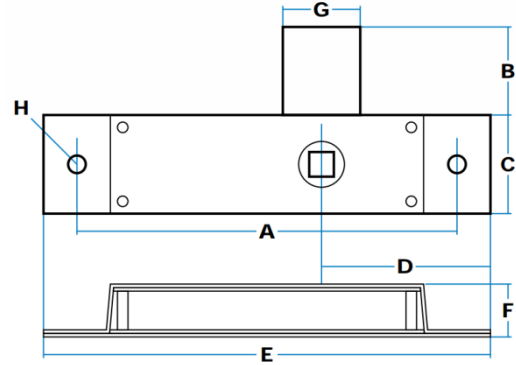
- With exceptionally strong construction, this model suits heavy applications and where a stronger, more substantial bolt is required to resist abuse
- Application uses include large storage containers, bus engine and luggage compartments
- Very substantially constructed with 3 mm steel plates for full length of latch, four steel pillar rivets to prevent 'bowing' and distortion, and forged 8 mm brass bolt
- Handed for 90° operation, LH / RH as shown operated by standard 8 mm square follow bush
- Fixing through 5 mm holes, these can be enlarged or countersunk to special order

Material

- Steel, zinc-plated, with chemically-blackened spring



GD5-G00756
(RH)



Part No.	Type	A	B	C	D	E	F	G	H
GD5-G00755	LH	108	25	28	48	127	15	22	5
GD5-G00756	RH								

GD5 Symmetrical Budget Latch

Features

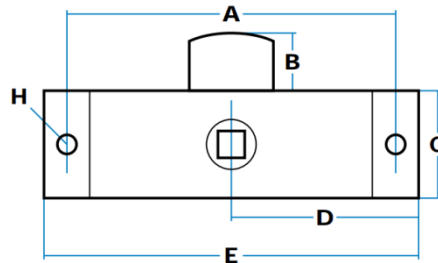
- All-steel latches, with bolt centred in case for symmetrical operation
- Movement 90°, LH or RH, with bolt held positively by a concealed spring
- Fixing through 5 mm holes. these can be enlarged or countersunk to special order

Material

- Steel, clear zinc-plated



GD5-G00856
(RH)



Part No.	Type	A	B	C	D	E	H
GD5-G00855	LH	86	15	28	51	98	5
GD5-G00856	RH						